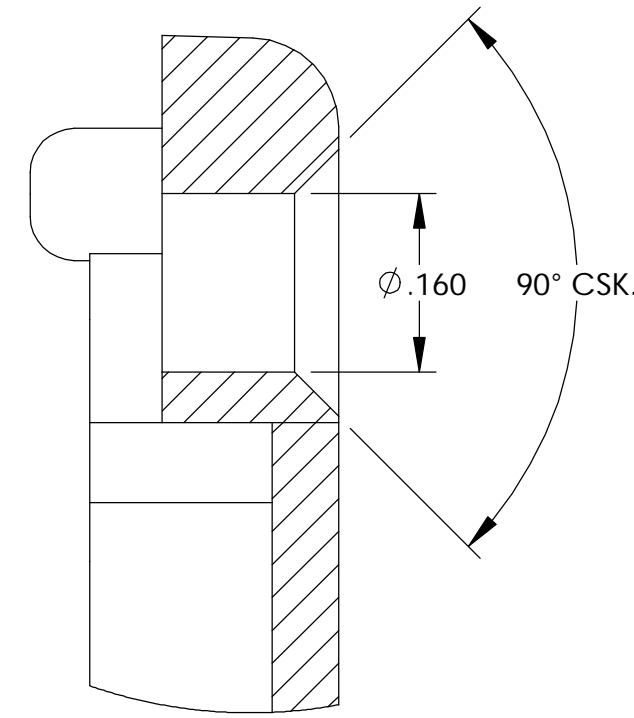
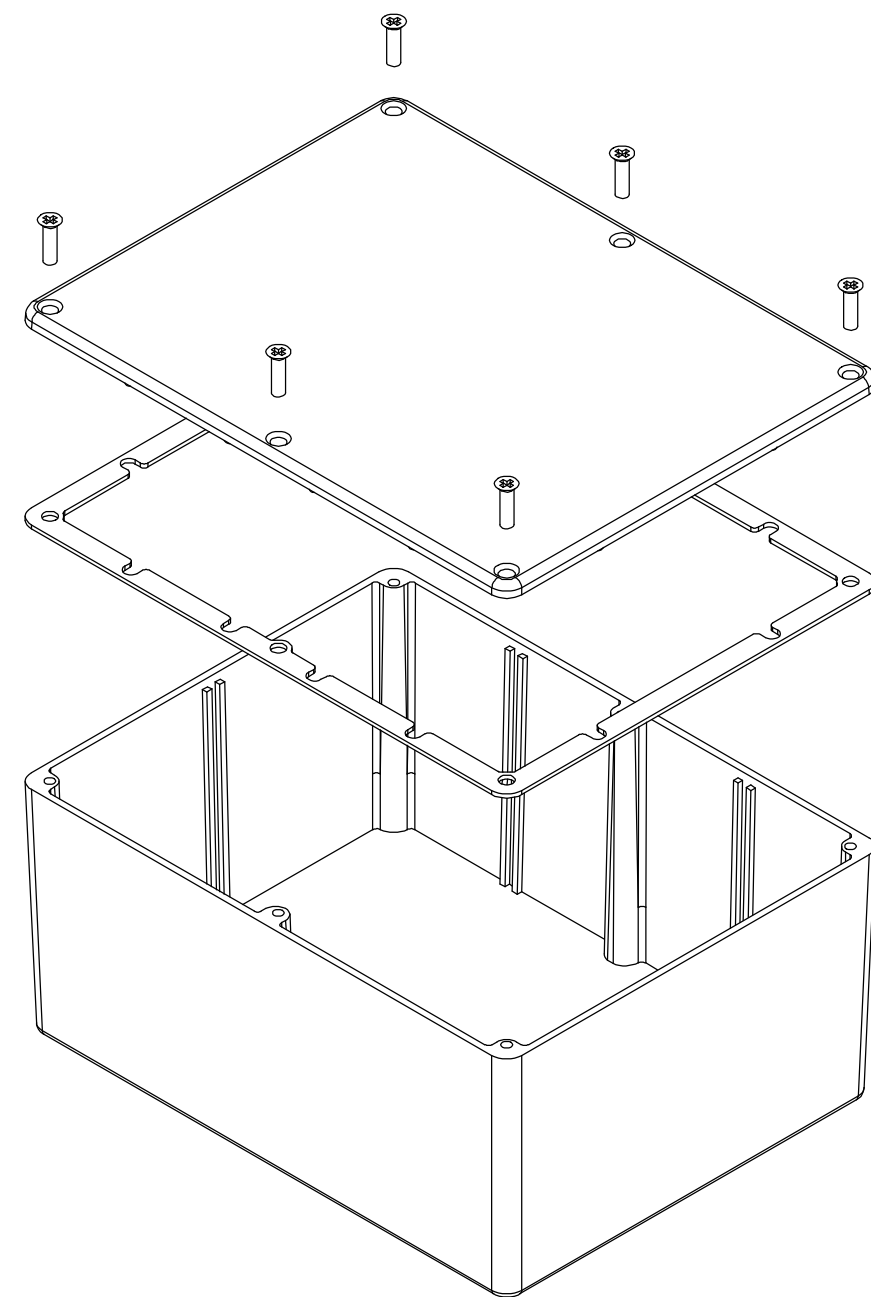


THE INFORMATION CONTAINED IN THIS DRAWING IS THE SOLE PROPERTY OF BUD INDUSTRIES INC. ANY REPRODUCTION IN PART OR WHOLE WITHOUT THE WRITTEN PERMISSION OF BUD INDUSTRIES INC. IS PROHIBITED.

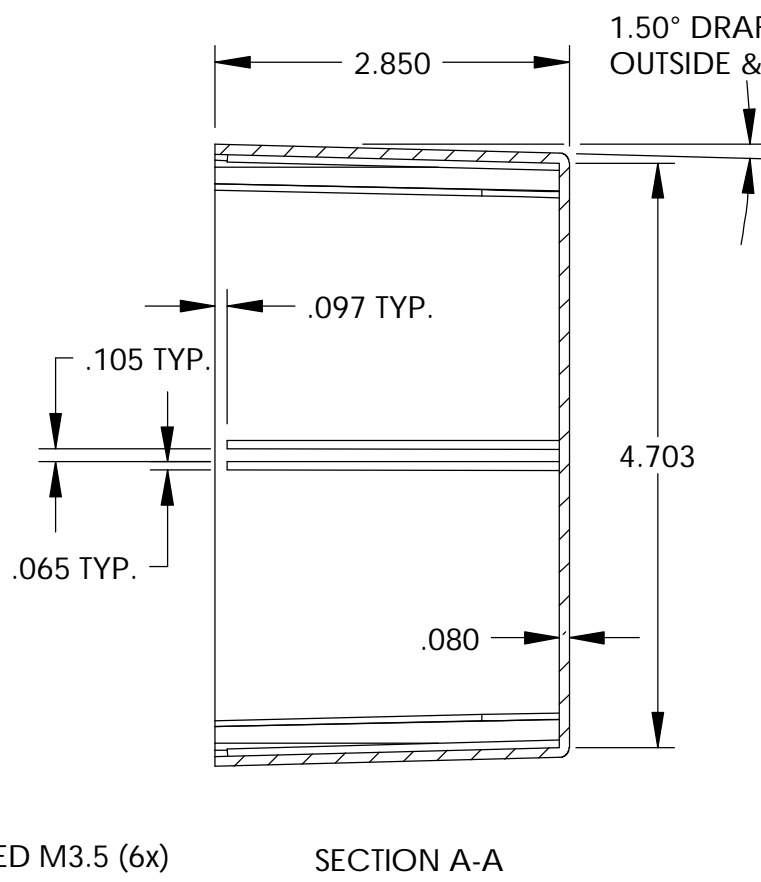
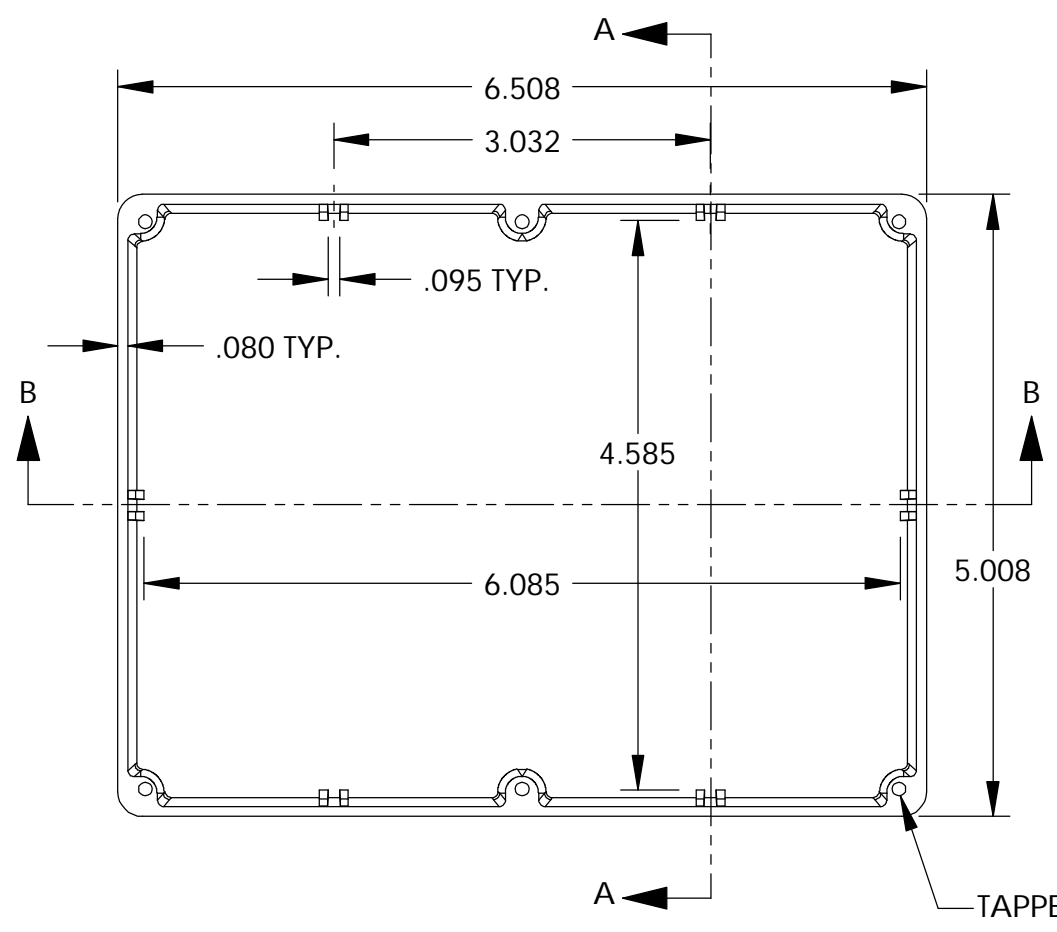
|          |           |
|----------|-----------|
| DWG. NO. | CN-5708   |
| ISSUE    | REVISIONS |
|          |           |

MATERIAL - ALUMINUM ALLOY #ADC-12  
 FINISH - NATURAL (CONTACT BUD FACTORY FOR ALTERNATE FINISHES)  
 GASKET - RATED IP65 NEOPRENE, SELF-ADHESIVE, 3mm THICK, COLOR BLACK  
 SCREWS - STAINLESS STEEL, M3.5 x 12mm LG., CSK. HEAD, SELF-THREADING

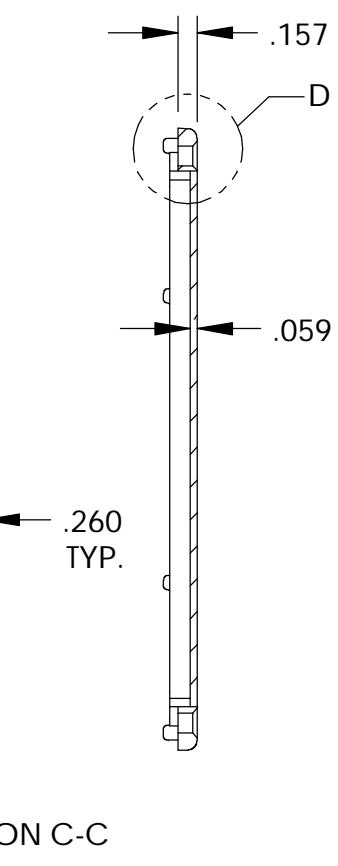
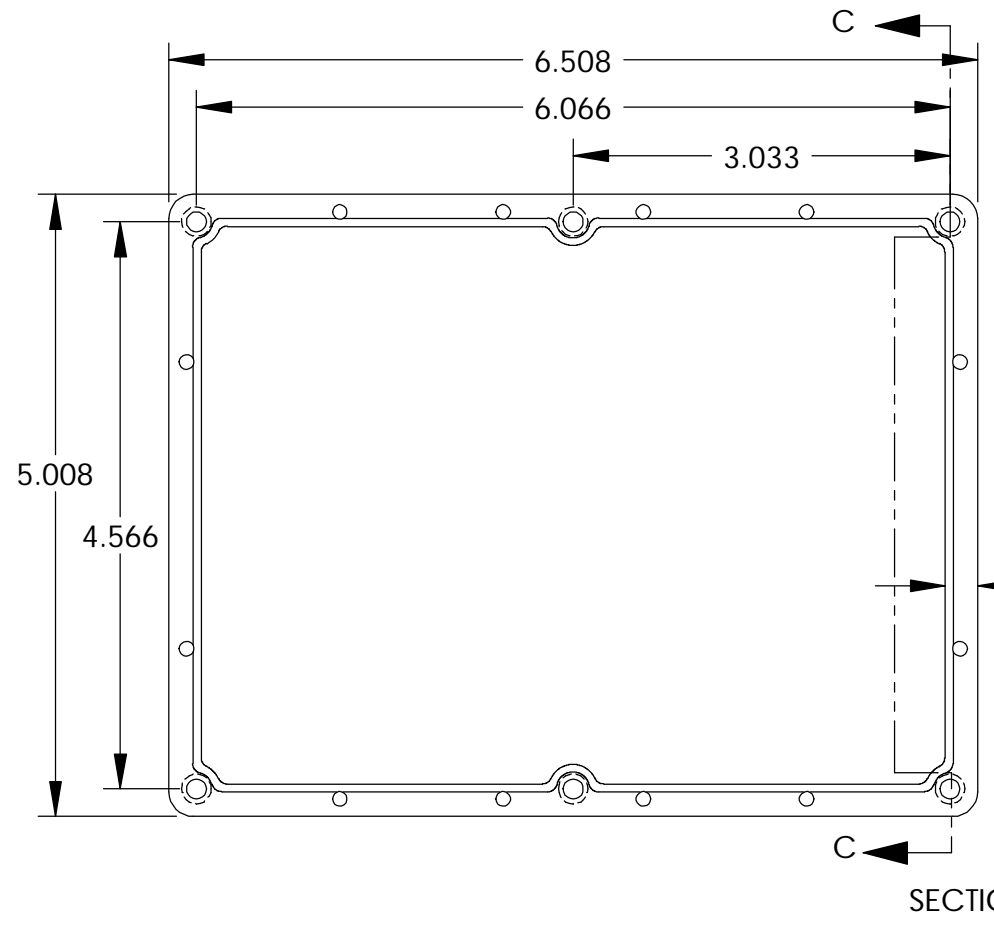
ALL HOLE DIAMETERS HAVE ±.005 TOLERANCE.  
 ALL OTHER DIMENSIONS HAVE ±.015 TOLERANCE.  
 ENCLOSURES ARE SHIPPED UNASSEMBLED WITH ALL ITEMS SHOWN.



DETAIL D  
SCALE 6 : 1

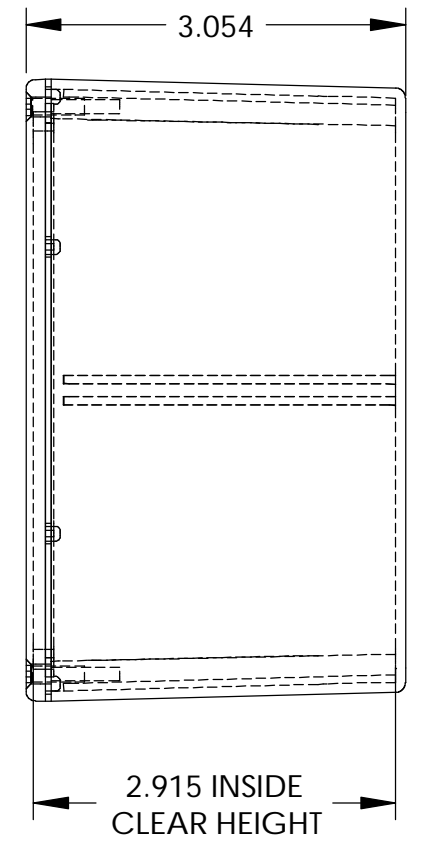


BODY

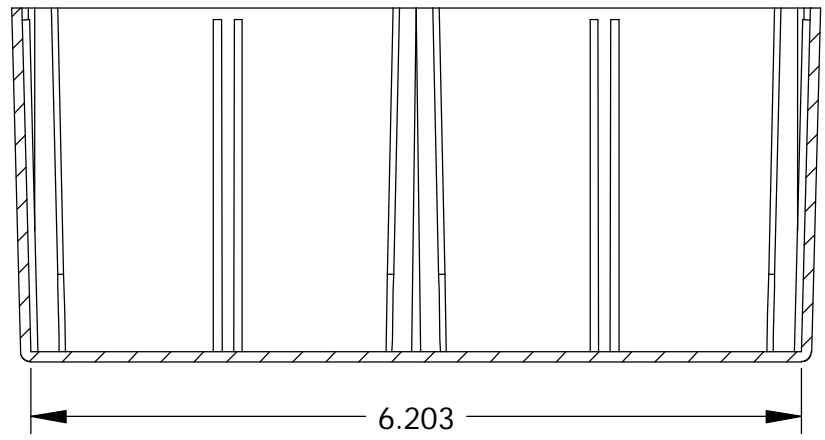


SECTION C-C

COVER



2.915 INSIDE CLEAR HEIGHT



SECTION B-B

| PARTS LIST                       |   |                            |                                    |
|----------------------------------|---|----------------------------|------------------------------------|
| ±.005 BETWEEN HOLE CENTERS       | CAD GENERATED DRAWING. DO NOT MANUALLY UPDATE | <b>BUD INDUSTRIES INC.</b> |                                    |
| ±.015 FROM SHEARED EDGE          | APPROVALS                                     | DATE                       | <b>DIE CAST ALUMINUM ENCLOSURE</b> |
| ±.032 FROM A BENT SURFACE        | DRAWN: <b>DAB</b>                             | 3-31-06                    |                                    |
| ±.062 BETWEEN ASSEMBLED SURFACES | CHECKED:                                      |                            |                                    |
| UNLESS OTHERWISE SPECIFIED       | MATERIAL                                      | APPROVED:                  |                                    |
| AS NOTED                         | FINISH  | AS NOTED                   |                                    |
| AS NOTED                         | QTY.  | USED ON                    | DO NOT SCALE DRAWING               |
| SCALE: <b>C</b>                  | DWG. NO. <b>CN-5708</b>                       | REV.                       |                                    |
| CAD FILE:                        | SHEET 1 OF 1                                  |                            |                                    |